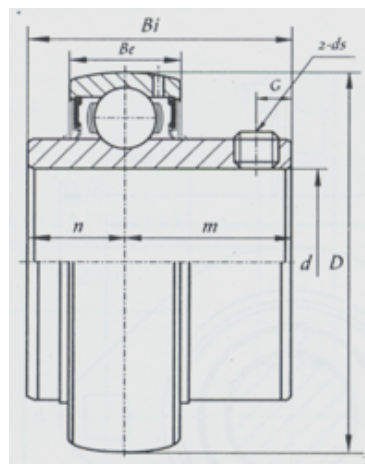


UC300 系列



select	Inquiry	型号	d		外形尺寸□mm□					G ds
			(mm)	(in.)	D	Bi	Be	n	m	
UC319	95		200	103	50	41	62	16	M16x1.5	
UC318	90		190	96	48	40	56	16	M16x1.5	
UC318-56	88.9	3.5	190	96	48	40	56	16	5/8-18UNF	
UC317-52	82.55	3.25	180	96	46	40	56	16	5/8-18UNF	
UC317	85		180	96	46	40	56	16	M16x1.5	
UC316-50	79.375	3 1/8	170	86	44	34	52	14	9/16-18UNF	
UC316	80		170	86	44	34	52	14	M14x1.5	
UC314	70		150	78	40	33	45	12	M12x1.5	
UC315-48	76.2	3	160	82	42	32	50	14	9/16-18UNF	
UC315	75		160	82	42	32	50	14	M14x1.5	
UC314-44	69.85	2.75	150	78	40	33	45	12	1/2-20UNF	
UC313	65		140	75	38	30	45	12	M12x1.5	
UC313-40	63.5	2 1/2	140	75	38	30	45	12	1/2-20UNF	
UC312-38	60.325	2 3/8	130	71	36	26	45	12	1/2-20UNF	
UC312-39	61.913	2 7/16	130	71	36	26	45	12	1/2-20UNF	
UC311	55		120	66	34	25	41	12	M12x1.5	
UC312	60		130	71	36	26	45	12	M12x1.5	
UC311-35	55.563	2.1875	120	66	34	25	41	12	1/2-20UNF	
UC312-36	57.15	2 1/4	130	71	36	26	45	12	1/2-20UNF	

UC300 系列

UC310	50		110	61	32	22	39	12	M12x1.5
UC311-34	53.975	2.125	120	66	34	25	41	12	1/2-20UNF
UC311-32	50.8	2	120	66	34	25	41	12	1/2-20UNF
UC310-30	47.625	1.875	110	61	32	22	39	12	1/2-20UNF
UC310-31	49.213	1.9375	110	61	32	22	39	12	1/2-20UNF
UC309	45		100	57	30	22	35	10	M10x1.25
UC309-28	44.45	1.75	100	57	30	22	35	10	3/8-24UNF
UC309-27	42.863	1.6875	100	57	30	22	35	10	3/8-24UNF
UC309-26	41.275	1.625	100	57	30	22	35	10	3/8-24UNF
UC307-23	36.513	1.4375	80	48	26	19	29	8	5/16-24UNF
UC308-25	39.688	1.5625	90	52	28	19	33	10	3/8-24UNF